

Industrial Android all-in-one PC



All rights reserved

Shenzhen Syoung Technology Co., Ltd. 2020. All rights reserved.

Without the written permission of the company, any unit or individual shall not extract or reproduce part or all of the contents of this document, and shall not transmit it in any form.

Notice

Due to product version upgrades or other reasons, the content of this document will be updated from time to time. Unless otherwise agreed, this document is for use only as a guide, and all statements, information and recommendations in this document do not constitute any express or implied warranty.

Table of contents

Product Overview	3
Product Introduction	3
Application Scenario	3
Product Specification	3
Product Size & Display	5
Installation & Instructions	7
Product Care and Maintenance	8

Product description

Product introduction

This product adopts master control RK3288/2G+16G (super quad core Cortex-A17, frequency up to 1.8GHz), 15.6-inch display screen, capacitive touch. Aluminum alloy structure is adopted, which is more beautiful and supports 7 * 24 hours of work; Compatible with Android system, making the product more widely used. Support wired network, WIFI, and smooth network use. The product is widely used in the application scenario of all-in-one conference reservation machine. Application scenarios

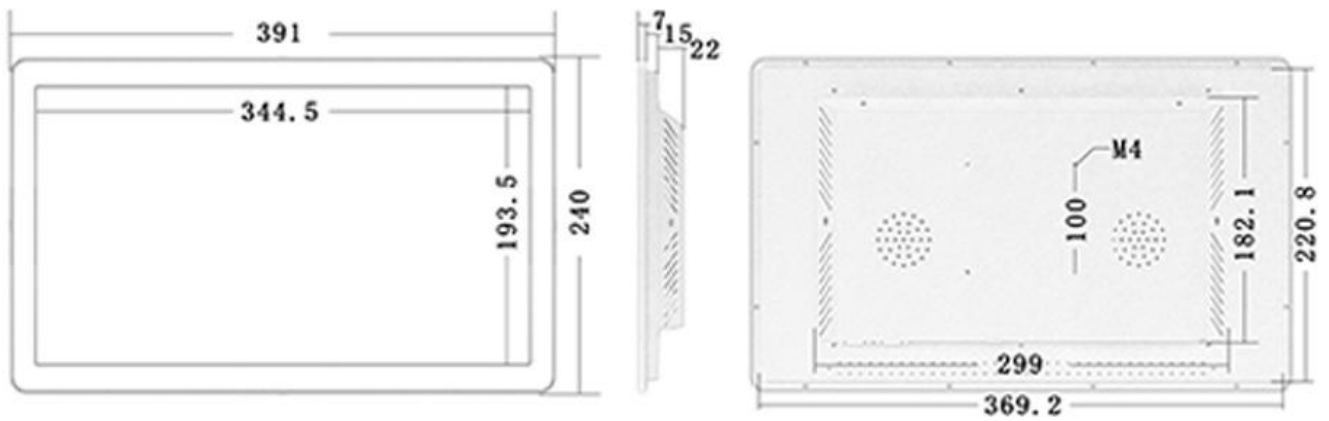
- Teaching computer, calligraphy model, integrated desk
- Registration terminal, printing terminal, inquiry terminal, self-service physical examination all-in-one machine
- CNC machine tools, manufacturing, industrial control cabinets, industrial automation production lines
- Robots, intelligent production lines, express cabinets, intelligent terminals, visual terminals

Product Specifications

Specification		Parameter
Screen	size	15.6-inch
	Resolution	1920×1080
	screen brightness	300cd/m ²
Capacitive touch	Surface hardness	6H
	Number of contacts	10 point
Trumpet	Built-in empty	2W+2W/8Ω;
	CPU	RK3288, super quad core Cortex-A17, frequency up to 1.8GHz
	GPU	ARM Mali-T764 GPU, supporting TE, ASTC, AFBC memory compression technology
Hardware	Image processing	Supports OPENGL ES1.1/2.0/3.0, OPEN VG1.1, OPENCL, Directx11
		Embedded high-performance 2D/3D acceleration hardware
		Support 4K, H.265 hard decoding 10bits color depth, HDMI2.0
		Support 1080P multi format video decoding 1080P video coding, support H 264, VP8 and MVC image enhancement processing
		Geomerics Enlighten's global real-time optical engine
		Hardware improves display effect under low power consumption
	Display	Up to 3840X2160 resolution display and HDMI2.0 output
	Security	Hardware security system, supporting HDCP 2. X
	ROM	4GB DDR3
	RAM	128G EMMC
IO	LAN	1-way RJ45 network port WiFi
	Audio	Line out*1
	USB	USB OTG/HOST*1 USB HOST*1
	Display interface	HDMI
	Expand interface	TF card slot
Other	working environment	Working temperature: -10~60°C; Working humidity: 5%~95% relative temperature, no condensation
	storage environment	Storage temperature: -20~60°C; Storage humidity: 5%~95% relative temperature, no condensation
	Power on	Supports power-on, timed-on, and remote power-on/off settings
	Size	As shown below
	Protection class	Complete machine waterproof
	Power supply	DC12V (±10%)
	OS	Android 11
	Installation method	wall-mounted, desktop

Product Size

15.6 inch industrial Android all in one



Front view

side view

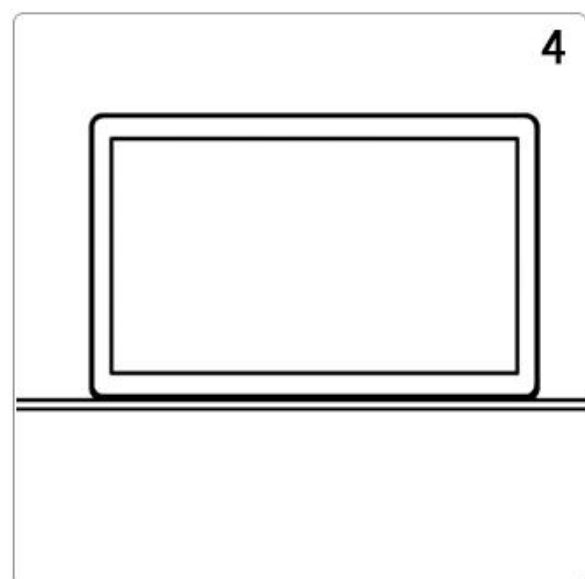
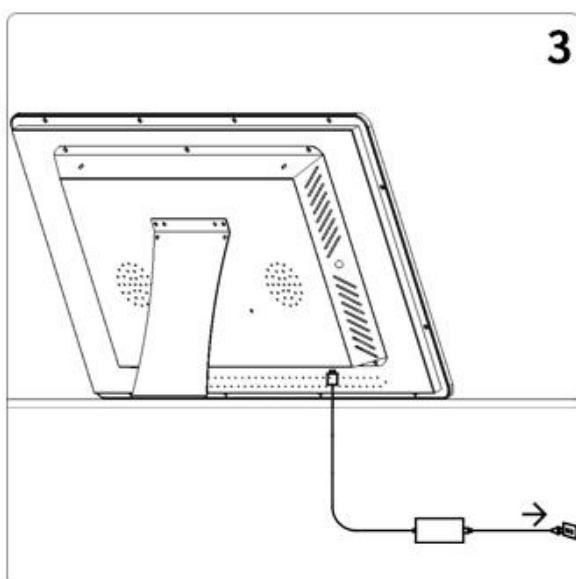
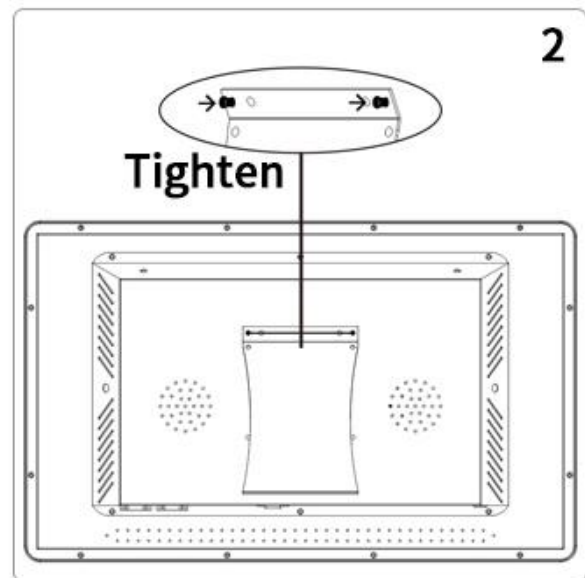
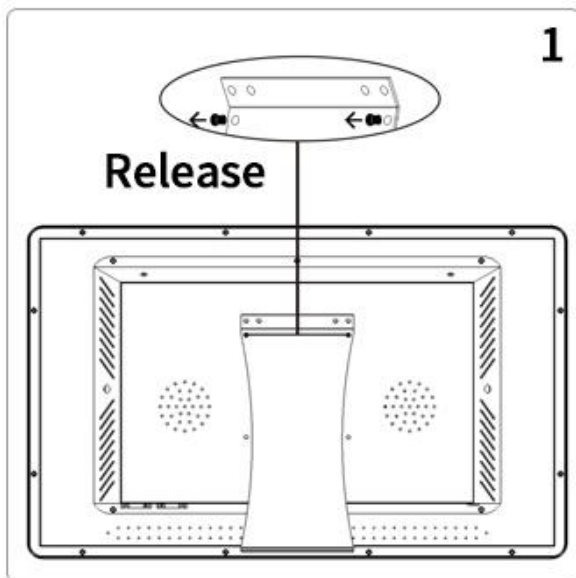
back image

Warm reminder: The size unit is millimeter (mm), and the error is within $\pm 0.5\text{mm}$

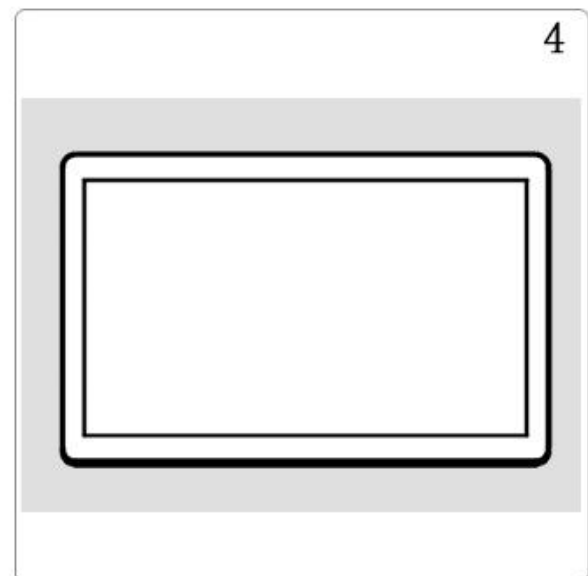
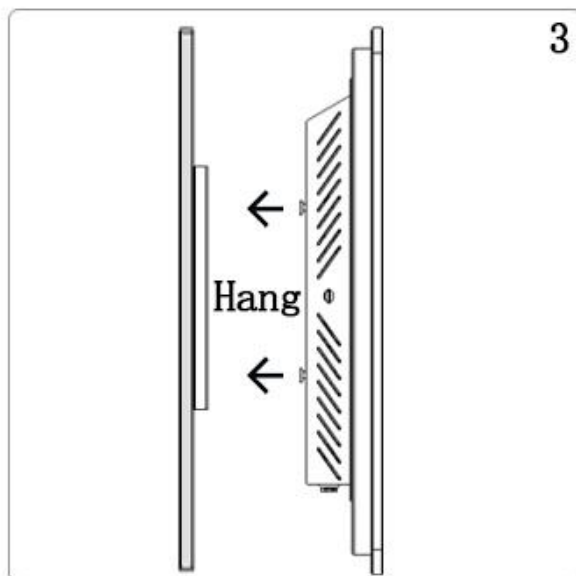
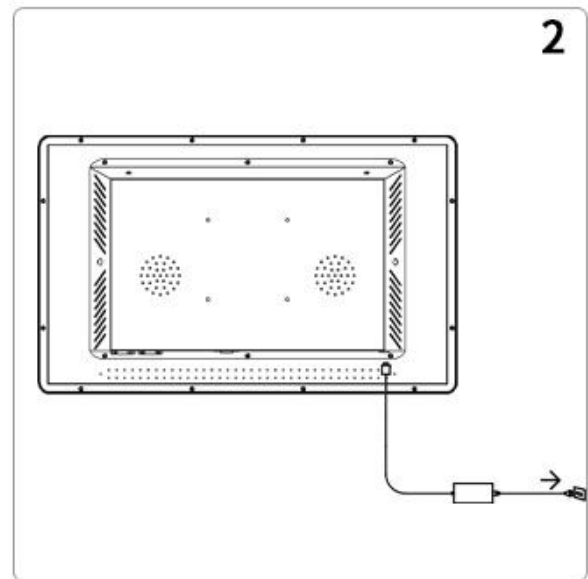
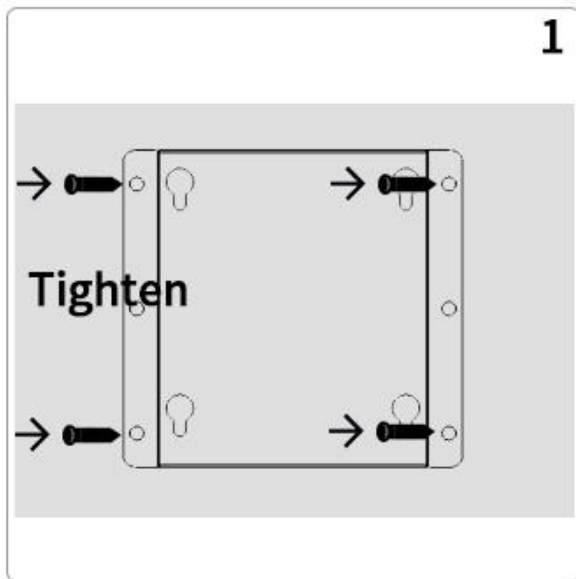
Installation steps



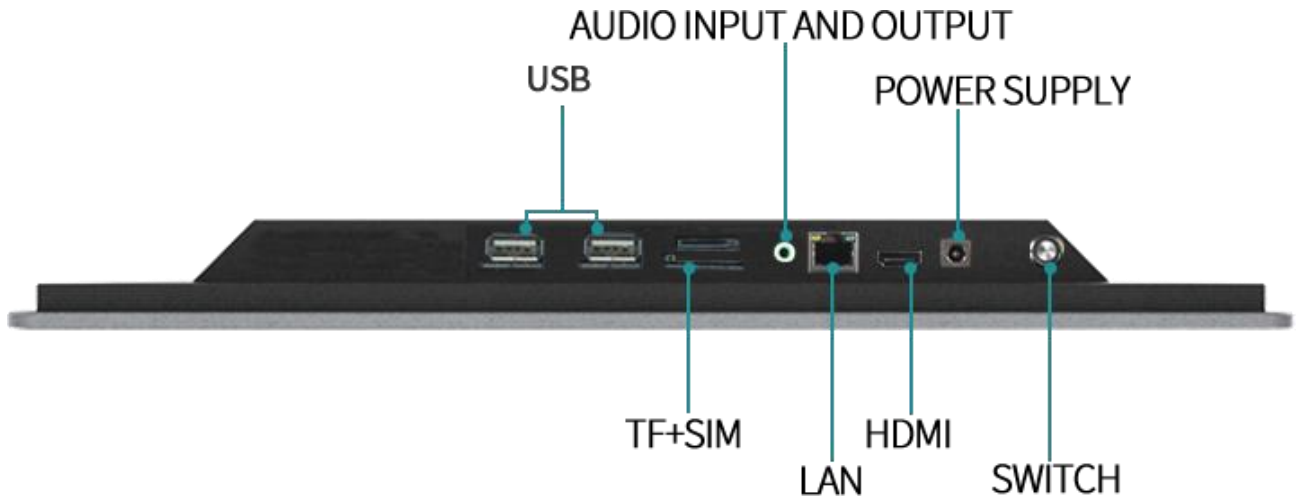
Blind bracket installation method



Wall bracket installation method



Interface display



The above interfaces are standard interfaces for reference only. Different sizes and positions will vary. There are no green terminals as standard.

Installation & Instructions

Installation Notes

1. Open the package
2. Take out the power pack and the machine; install and fix the machine (different brackets have different installation methods, please refer to the "Bracket Installation Instructions" for details)
3. Connect the power adapter and connect the connected power adapter to the host



1. If the machine is not set to power on, press the "POWER" key switch after connecting the power supply.

Product Care and Maintenance

When you receive the product, please pay attention to check whether the outer packaging is damaged or deformed. If you find any damage or deformation, please contact the logistics personnel as soon as possible or open the packaging in the presence of the logistics personnel to check the internal damage of the product.

Individual brackets will be equipped with corresponding screws, please pay attention to the accessories.

When installing the bracket, please ensure that the product is installed firmly before use. Please pay attention to the placement of the column floor bracket, as it is easy to collide and fall to the ground.

Installation sequence: connect the signal cables between components first, and then connect the power cables. Only connect the power cable last when all components are properly connected.

During the installation process, the electrical safety regulations of the country and the region of use must be strictly observed. When the plug and socket are matched, they must be inserted in place. After checking that the connection is correct, tighten the plug screws to ensure a stable connection.

When choosing an adapter, please check whether the adapter meets the specifications for use. Please use an adapter that complies with local safety standards.

When connecting to AC power, it is required that the power plug is not easy to loosen after plugging in, and the plug must have a ground wire.

The installation should be carried out without electricity, and live installation is prohibited.

Power sequence: connect the adapter first, then connect the AC power.

You are responsible for configuring all passwords and other related product security settings reasonably, and keep the account username and password of the manager's authority properly.

If the device does not work properly, do not disassemble and repair it by yourself, otherwise it will affect the device warranty.

Ensure that the surface of the product is clean during use, so as to avoid dirt or dust particles covering the LCD screen and affecting normal use.

Avoid extreme high temperature (or low temperature), high humidity, vibration, radiation, chemical corrosion and other harsh or extreme environments during installation and use.

Machine maintenance requires professional personnel from our company or personnel trained by our company to operate to avoid unnecessary dangers